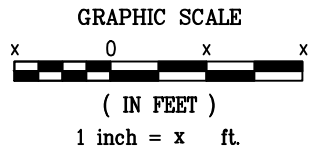
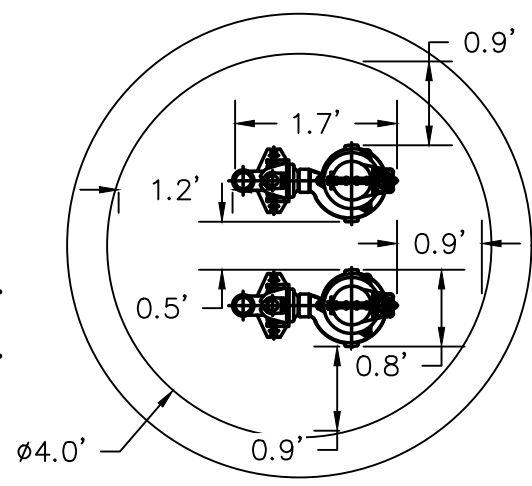
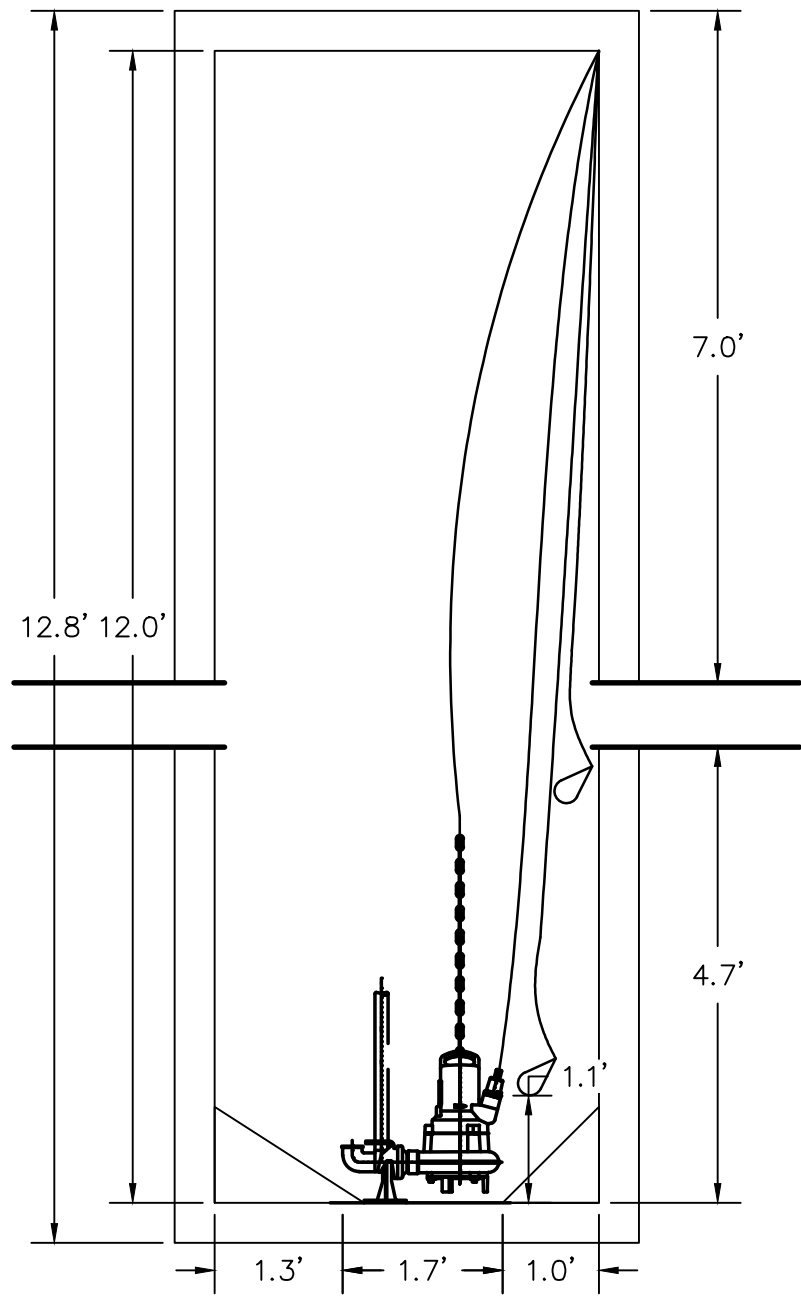


P:\Client Projects\Plumas Eureka CSD 302\2408 Lift Station 7 Rehabilitation\5.0 Drawings\5.3 CAD Exhibits\New LS 7 MH Design.dwg PLOT DATE 2023-05-09 07:46 SAVED DATE 2023-05-09 07:46 USER: djones



DOWL
www.dowl.com
 5510 Longley Lane
 Reno, Nevada 89511
 775-851-4788

CLIENT NAME
 PROJECT NAME
 FIGURE TITLE

PROJECT #####
 DATE ##/##/20##
 FIGURE #